

## HOTSY High-Pressure Hose

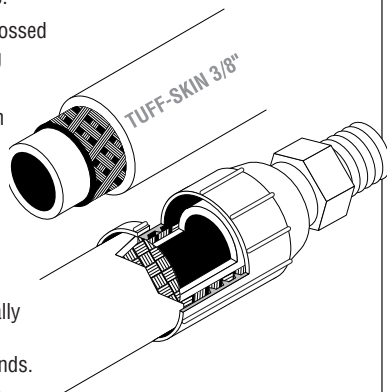
*For use with: hot or cold-water pressure washer*

**T**here is no other high-pressure hose as tough as HOTSY's Tuff-Skin™ hose. When tested to ISO 6945 / DIN 20024, the Tuff-Skin has proven to be seven times more abrasion resistant than standard pressure washer hoses yet is 20% more flexible. The Tuff-Skin, with its unique design, has been engineered for a greater continuous temperature range—from -40° to 275°F / 310°F intermittent—and for handling pressures of up to 6000 psi.

Besides its maximum-strength Class A ORS (Oil Resistance Standard)—most other brands are Class B—the Tuff-Skin has a “bite-the-wire” coupling that grips the hose better than any other design.

Both single- and double-wire braid hoses come with durable plastic sleeves on both ends—including a 24-inch sleeve on the gun end—for added operator protection against high-pressure bursts.

- **Greater Oil Resistance:** Both the tube and the cover carry the maximum class A ORS (Oil Resistance Rating) for longer life. Most brands of hose carry only a Class B rating.
- **Higher Temperature Rating:** Tuff-Skin hoses are rated for continuous temperatures up to 275°F / 310°F intermittent.
- **Special Wire Braid:** Unique design of braid gives Tuff-Skin hose added durability, greater working pressure and higher impulse cycle in both the double- and single-wire products.
- **Easily Identified:** Permanently embossed identification makes for easy tracing and owner protection.
- **Certified Burst Protection:** Tuff-Skin meets the stringent UL-1776 safety standards with two hose guards—including a 24-inch sleeve on the gun end—for added operator protection against bursts.
- **Higher Abrasion Resistance:** The Tuff-Skin cover has been specially compounded to deliver 7 times the abrasion resistance of other brands.
- **Additional Flexibility:** Even with extra durability, the braid design allows for 20% more flexibility than other brands.
- **Unique Coupling:** A “bite-the-wire” coupling actually reaches the wire braid for never-slip retention, far superior to the “compression” fittings used on conventional hoses.



## Tuff-Skin 1-Wire 4000 PSI Hose



- Hotsy branded bend black restrictor
- Wrapped impression, maximum oil resistant tube and cover with black hose guard, both ends
- 20% greater flexibility
- 7 times greater abrasion resistance
- Built to SAE 100R1AT OD dimensions
- Rated to 275°F

Part No.	Size	ID	Temp	Fittings	PSI
<b>3/8" MPT Swivel x 3/8 MPT Swivel</b>					
8.739-015.0	25'	3/8	275°F	SWxSW	4000
8.739-016.0	50'	3/8	275°F	SWxSW	4000
8.739-017.0	75'	3/8	275°F	SWxSW	4000
8.739-018.0	100'	3/8	275°F	SWxSW	4000
8.739-019.0	150'	3/8	275°F	SWxSW	4000
<b>3/8" MPT Swivel x 3/8 MPT Solid</b>					
8.739-010.0	25'	3/8	275°F	SWxSO	4000
8.739-011.0	50'	3/8	275°F	SWxSO	4000
8.739-012.0	75'	3/8	275°F	SWxSO	4000
8.739-013.0	100'	3/8	275°F	SWxSO	4000
8.739-014.0	150'	3/8	275°F	SWxSO	4000

## Tuff-Skin 2-Wire 6000 PSI Hose



- Hotsy branded bend red restrictor
- Wrapped impression, maximum oil resistant tube and cover with black hose guard, both ends
- 20% greater flexibility
- 7 times greater abrasion resistance
- Built to SAE 100R1AT OD dimensions
- Rated to 275°F

Part No.	Size	ID	Temp	Fittings	PSI
<b>3/8" MPT Swivel x 3/8 MPT Swivel</b>					
8.739-059.0	25'	3/8	275°F	SWxSW	6000
8.739-060.0	50'	3/8	275°F	SWxSW	6000
8.739-061.0	75'	3/8	275°F	SWxSW	6000
8.739-062.0	100'	3/8	275°F	SWxSW	6000
8.739-063.0	150'	3/8	275°F	SWxSW	6000
<b>3/8" MPT Swivel x 3/8 MPT Solid</b>					
8.739-053.0	25'	3/8	275°F	SWxSO	6000
8.739-054.0	50'	3/8	275°F	SWxSO	6000
8.739-055.0	75'	3/8	275°F	SWxSO	6000
8.739-056.0	100'	3/8	275°F	SWxSO	6000
8.739-057.0	150'	3/8	275°F	SWxSO	6000

### 3/8" Tuff-Flex 1-Wire 3000 PSI Hose

Tuff-Flex hose has the same durable cover as the Tuff-Skin hose. A smaller OD allows for even greater flexibility.



- Hotsy branded black bend restrictor
- Wrapped impression, maximum oil resistant tube and cover
- 50% greater flexibility
- 7 times greater abrasion resistance
- Economically priced
- Rated to 275°F

Part No.	Size	ID	Temp	Fittings	PSI
<b>3/8" MPT Swivel x 3/8 MPT Swivel</b>					
8.739-115.0	25'	3/8	275°F	SWxSW	3000
8.739-116.0	50'	3/8	275°F	SWxSW	3000
8.739-117.0	75'	3/8	275°F	SWxSW	3000
8.739-118.0	100'	3/8	275°F	SWxSW	3000
8.739-119.0	150'	3/8	275°F	SWxSW	3000
<b>3/8" MPT Swivel x 3/8 MPT Solid</b>					
8.739-106.0	25'	3/8	275°F	SWxSO	3000
8.739-107.0	50'	3/8	275°F	SWxSO	3000
8.739-108.0	75'	3/8	275°F	SWxSO	3000
8.739-109.0	100'	3/8	275°F	SWxSO	3000
8.739-110.0	150'	3/8	275°F	SWxSO	3000

### Tuff-Flex 5000 PSI 2-Wire Hose

Tuff-Flex hose has the same durable cover as the Tuff-Skin hose.



- Hotsy branded red bend restrictor
- Wrapped impression, maximum oil resistant tube and cover
- 50% greater flexibility
- 7 times greater abrasion resistance
- Hose guard on both ends
- 3/8" MPT Swivel x 3/8" MPT Swivel

Part No.	Size	ID	Temp	Fittings	PSI
<b>3/8" MPT Swivel x 3/8 MPT Swivel</b>					
8.739-192.0	25'	3/8	275°F	SWxSW	5000
8.739-193.0	50'	3/8	275°F	SWxSW	5000
8.739-194.0	75'	3/8	275°F	SWxSW	5000
8.739-195.0	100'	3/8	275°F	SWxSW	5000
8.739-196.0	150'	3/8	275°F	SWxSW	5000
<b>3/8" MPT Swivel x 3/8 MPT Solid</b>					
8.739-182.0	25'	3/8	275°F	SWxSO	5000
8.739-183.0	50'	3/8	275°F	SWxSO	5000
8.739-184.0	75'	3/8	275°F	SWxSO	5000
8.739-185.0	100'	3/8	275°F	SWxSO	5000
8.739-186.0	150'	3/8	275°F	SWxSO	5000

### Tuff-Flex 1-Wire 3000 PSI Blue Non-Mar Hose



- Hotsy branded black bend restrictor
- Smooth, maximum oil resistant tube blue non-marking cover.
- 20% greater flexibility
- 7 times greater abrasion resistance
- Built to SAE 100R1AT OD dimensions
- 3/8" MPT Swivel x 3/8" MPT Swivel

Part No.	Size	ID	Temp	PSI	Color
8.739-121.0	50'	3/8	275°F	3000	Blue
8.739-123.0	100'	3/8	275°F	3000	Blue

### Tuff-Flex 2-Wire 5000 PSI Blue Non-Mar Hose



- Hotsy branded red bend restrictor
- Smooth, maximum oil resistant tube blue non-marking cover.
- 20% greater flexibility
- 7 times greater abrasion resistance
- Built to SAE 100R1AT OD dimensions
- 3/8" MPT Swivel x 3/8" MPT Swivel

Part No.	Size	ID	Temp	PSI	Color
8.739-198.0	50'	3/8	275°F	5000	Blue
8.739-200.0	100'	3/8	275°F	5000	Blue

### 1/4", 3/8" & 1/2" 2-Wire Pressure Loop



#### 1/4" ID Pressure Line

- 1/4" MPT solid x 1/4" MPT swivel
- 1/4" ID two-wire 5000 PSI, 275°F
- Any length available



#### JIC Pressure Loop

- 1/2" female JIC swivels on each end
- 3/8" and 1/2" ID two-wire 5000 PSI, 275°F
- Any length available, call for special orders

Part No.	Original No.	Size	PSI	Description
8.711-549.0	4-02021216	16" x 1/4" ID	5000	1/4" Pressure Line
8.711-550.0	4-02021220	20" x 1/4" ID	5000	1/4" Pressure Line
8.711-552.0	4-02021226	26" x 1/4" ID	5000	1/4" Pressure Line
8.711-553.0	4-02021228	28" x 1/4" ID	5000	1/4" Pressure Line
8.711-554.0	4-02021230	30" x 1/4" ID	5000	1/4" Pressure Line
9.802-231.0	4-02021236	36" x 1/4" ID	5000	1/4" Pressure Line
8.711-558.0	707522	42" x 1/4" ID	5000	1/4" Pressure Line
8.711-653.0	707512	16" x 3/8" ID	5000	JIC Pressure Loop
9.802-239.0	4-02047720	20" x 3/8" ID	5000	JIC Pressure Loop
9.802-240.0	4-02047722	22" x 3/8" ID	5000	JIC Pressure Loop
9.802-241.0	707513	25" x 3/8" ID	5000	JIC Pressure Loop
9.802-242.0	707529	29" x 3/8" ID	5000	JIC Pressure Loop
9.802-244.0	867770	36" x 3/8" ID	5000	JIC Pressure Loop
8.711-662.0	4-02047738	38" x 3/8" ID	5000	JIC Pressure Loop
8.711-664.0	4-02047742	42" x 3/8" ID	5000	JIC Pressure Loop
8.711-700.0	4-02067720	20" x 1/2" ID	5000	JIC Pressure Loop
8.711-701.0	4-02067722	22" x 1/2" ID	5000	JIC Pressure Loop
8.711-702.0	4-02067728	28" x 1/2" ID	5000	JIC Pressure Loop
8.711-705.0	4-02067746	46" x 1/2" ID	5000	JIC Pressure Loop
8.711-707.0	4-02067770	70" x 1/2" ID	5000	JIC Pressure Loop

## Legacy Rawhide Hose



*Superior abrasion-resistant cover hose for use with: hot or cold-water pressure washer*

All standard 3/8" RAWHIDE assemblies include:

- 1 solid end and 1 swivel end
- 8" molded vinyl, color coded bend restrictors (both ends)
- Durable wrapped finish outer cover
- Class A ORS (Oil Resistance Standard) for longer life
- Superior flexibility
- Temperature up to 275°F



### Rawhide 1-Wire 4000 PSI Black Hose

Part No.	Original No.	Length	Temp	Working PSI	Approx wt lbs
<b>3/8" Black Hose (wrapped)</b>					
8.739-030.0	158265	25' x 3/8" ID	275°F	4000	6.00
8.901-774.0	158270	30' x 3/8" ID	275°F	4000	7.00
8.901-776.0	158275	40' x 3/8" ID	275°F	4000	10.00
8.739-031.0	158280	50' x 3/8" ID	275°F	4000	12.00
8.739-032.0	158285	75' x 3/8" ID	275°F	4000	17.00
8.739-033.0	158290	100' x 3/8" ID	275°F	4000	23.00
8.739-034.0	158295	150' x 3/8" ID	275°F	4000	34.00
8.724-037.0	158200*	Per Foot			

\*500 ft reel, 50 ft incremental lengths (max 3 pieces)

See Page 35 for fittings to make custom hose

### Rawhide 1-Wire 3000 PSI Blue & Yellow Smooth Non-Marking Hose

**ANIMAL FAT RESISTANT**

Part No.	Original No.	Length	Temp	Working PSI	Approx wt lbs
<b>3/8" Smooth Yellow Hose</b>					
8.901-800.0	158980	50' x 3/8" ID	275°F	3000	12.00
8.901-802.0	158985	75' x 3/8" ID	275°F	3000	17.00
8.901-804.0	158990	100' x 3/8" ID	275°F	3000	23.00
8.705-720.0	158900*	Per Foot			

#### 3/8" Smooth Blue Hose

8.739-148.0	158780	50' x 3/8" ID	275°F	3000	12.00
8.739-149.0	158785	75' x 3/8" ID	275°F	3000	17.00
8.739-150.0	158790	100' x 3/8" ID	275°F	3000	23.00
8.739-369.0	158795	150' x 3/8" ID	275°F	3000	34.00
8.724-371.0	158700*	Per Foot			

#### 1/4" Smooth Blue Hose

8.901-796.0	158880	50' x 1/4" ID	275°F	3000	8.00
8.901-798.0	158890	100' x 1/4" ID	275°F	3000	16.00
8.705-718.0	158800*	Per Foot			

\*500 ft reel, 50 ft incremental lengths (max 3 pieces)

## Legacy Rawhide 2-Wire 3/8" Hose

*All black 2-wire Legacy Rawhide hose is now rated at 6000 PSI!*

2-Wire RAWHIDE assemblies include:

- 1 solid end and 1 swivel end
- 6000 PSI rating - Black
- 4500 PSI rating - Blue
- 8" bend restrictors (both ends)
- Durable wrapped finish outer cover
- Superior flexibility
- Beefed up high tensile steel wire braid
- Higher abrasion resistance
- New Temperature up to 275°F



Part No.	Original No.	Length	Temp	Working PSI	Approx wt lbs
<b>3/8" Black Hose (6000 PSI) - Wrapped</b>					
8.739-077.0	159565	25'	275°F	6000	9.00
8.739-078.0	159580	50'	275°F	6000	17.00
8.739-079.0	159585	75'	275°F	6000	25.00
8.739-080.0	159590	100'	275°F	6000	33.00
8.739-081.0	159595	150'	275°F	6000	48.00
8.724-042.0	159300*	Per Foot			

\*450 ft reel, 50 ft incremental lengths (max 3 pieces)

Part No.	Original No.	Length	Temp	Working PSI	Approx wt lbs
<b>3/8" BLUE Hose (4500 PSI) - Smooth</b>					
8.739-229.0	154415	50' x 3/8" ID	275°F	4500	17.00
8.739-231.0	154425	100' x 3/8" ID	275°F	4500	33.00
8.705-651.0	154400	Per Foot			

# Legacy Ultima Hose

*Wrapped cover hose with a smaller outside diameter for even greater flexibility!*

**All standard Ultima assemblies include:**

- 1 solid end and 1 swivel end
- 8" molded vinyl color coded bend restrictors (both ends)
- Wrapped impression, maximum oil resistant tube and cover
- 50% greater flexibility
- Temperature up to 275°F



## Ultima 1-Wire 3000 PSI Black Hose (wrapped)

Part No.	Original No.	Description	Approx Wt-lbs
<b>3/8" Black Hose</b>			
8.739-373.0	153550	15' x 3/8" ID	5.0
8.739-142.0	153555	25' x 3/8" ID	7.0
8.901-513.0	153560	30' x 3/8" ID	
8.739-143.0	153570	50' x 3/8" ID	13.0
8.739-144.0	153575	75' x 3/8" ID	19.0
8.739-145.0	153590	100' x 3/8" ID	25.0
8.739-146.0	153595	150' x 3/8" ID	37.0
8.724-047.0*	153000	Per Foot	

\*Full Reel – 450 ft, hose only, 50 ft incremental lengths (max 3 pieces)

### 1/2" Black Hose

8.739-420.0	155425	25' x 1/2" ID	7.50
8.739-421.0	155450	50' x 1/2" ID	14.00
8.739-422.0	155475	75' x 1/2" ID	21.00
8.739-423.0	155499	100' x 1/2" ID	27.00
8.724-067.0*	155400	Per Foot	

\*Full Reel – 350 ft, hose only, 50 ft incremental lengths (max 3 pieces)

### 1/4" Black Hose

8.901-418.0	151025	25' x 1/4" ID	5.00
8.901-423.0	151030	30' x 1/4" ID	6.00
8.901-427.0	151050	50' x 1/4" ID	10.00
8.901-429.0	151075	75' x 1/4" ID	15.00
8.901-430.0	151090	100' x 1/4" ID	20.00
8.724-065.0*	151000	Per Foot	

\*Full Reel – 800 ft, hose only, 50 ft incremental lengths (max 3 pieces)

## 1-Wire Custom Hose Fittings:

These hose fittings can be used with any 1-Wire Per Foot Hose

Part No.	Original No.	Custom Length
<b>3/8" Hose</b>		
8.724-335.0	150232*	add fitting(s) and bend restrictor
8.901-309.0	150205*	add fitting(s) only

### 1/2" Hose

8.724-333.0	150220*	add fitting(s) and bend restrictor
8.901-321.0	150222*	add fitting(s) only

### 1/4" Hose

8.724-313.0	150210*	add fitting(s) and bend restrictor
8.901-314.0	150212*	add fitting(s) only

\*Assembly – Add to cost of custom length (labor & fittings - 1 solid, 1 swivel)

## Ultima 2-Wire 5000 PSI Black Hose (wrapped)

Part No.	Original No.	Description	Approx Wt-lbs
<b>3/8" Black Hose</b>			
8.739-222.0	154215	15' x 3/8" ID	5.75
8.739-223.0	154225	25' x 3/8" ID	8.00
8.739-224.0	154250	50' x 3/8" ID	15.00
8.739-225.0	154275	75' x 3/8" ID	22.00
8.739-226.0	154290	100' x 3/8" ID	28.00
8.739-227.0	154294	150' x 3/8" ID	42.00
8.724-052.0	154000*	Per Foot	

\*Full Reel – 459 ft per reel, hose only, 50 ft incremental lengths (max 3 pieces)

### 1/2" Black Hose

8.739-424.0	155725	25' x 1/2" ID	9.25
8.739-425.0	155750	50' x 1/2" ID	18.00
8.739-426.0	155775	75' x 1/2" ID	26.80
8.739-427.0	155790	100' x 1/2" ID	35.50
8.724-068.0	155700**	Per Foot	

\*Full Reel – 450 ft per reel, hose only, 50 ft incremental lengths (max 3 pieces)

\*\*Full Reel – 350 ft per reel, hose only (max 3 pieces)

## 2-Wire Custom Hose Fittings:

These hose fittings can be used with any 2-Wire Per Foot Hose

Part No.	Original No.	Custom Length
<b>3/8" Hose</b>		
8.724-336.0	150204*	add fitting(s) and bend restrictor
8.901-309.0	150205*	add fitting(s) only

\*Assembly – Add to cost of custom length (labor & fittings - 1 solid, 1 swivel)

### 1/2" Hose

8.724-334.0	150224*	add fitting(s) and bend restrictor
8.901-321.0	150222*	add fitting(s) only

\*Assembly – Add to cost of custom length (labor & fittings - 1 solid MPT, 1 swivel MPT)

## High Pressure Hose



GREAT VALUE! Economically priced 1-wire hose with a durable wrapped cover.



- Temperature: 250°F
- 3 to 1 burst rating
- 3/8" MPT Swivel x 3/8" MPT Solid
- Durable wrapped cover

Part No.	Original No.	Description	PSI
8.940-500.0	153350	50' x 3/8" ID – 1-wire	3000
8.941-526.0	153390	100' x 3/8" ID – 1-wire	3000

# HOSE & HOSE REELS

## Hobby Hose

Replacement hose for most hobby pressure washers sold by mass retailers.



- Thermoplastic cover
- Fiber-braid reinforcement
- 2250 PSI working pressure
- 9000 PSI burst pressure
- M22 x 1.5 fitting inlet
- 14mm seal cone fits Karcher, Generac & Excell
- 15mm seal cone fits Campbell, MI-T-M

Part No.	Original No.	Seal Cone	ID	Length
8.705-485.0	150245	14mm	1/4"	25 ft
8.705-487.0	150246	15mm	1/4"	25 ft
8.711-531.0	4-02010025M	22mm*	1/4"	25 ft

NOTE: See Hobby Gun and Lance on page 30

\*Both Ends

## Whitewater® Combination Steam Hose



Good up to 3000 PSI / 250°F or 350 PSI / 325°F .



- Single high-tensile steel wire braid
- High temperature bend restrictors – both ends
- Seamless innertube
- Solid 3/8" or 1/2" MPT connectors – both ends (Swivel ends NOT available)
- Oil-resistant cover

Part No.	Original No.	Size	PSI
<b>3/8" Hose</b>			
8.901-599.0	867421	30'	up to 3000
8.901-601.0	707180	50'	up to 3000
8.901-598.0	153925	25'	up to 3000
8.901-603.0	153975	75'	up to 3000
8.901-604.0	153990	100'	up to 3000
8.705-643.0	153900*	Full Reel	

Part No.	Original No.	Size	PSI
<b>1/2" Hose</b>			
8.901-721.0	155625	25'	up to 2500
8.901-723.0	155650	50'	up to 2500
8.901-724.0	155675	75'	up to 2500
8.901-725.0	155690	100'	up to 2500
8.705-678.0	155600*	Full Reel	

\*500 ft per reel, hose only, 50 ft incremental lengths (max 3 pieces)

Part No.	Original No.	Custom Lengths
<b>3/8" Hose</b>		
8.705-643.0	153900	per ft / hose only
8.901-316.0	150215*	add fitting(s) and bend restrictor
8.901-317.0	150216*	add fitting(s) only

Part No.	Original No.	Custom Lengths
<b>1/2" Hose</b>		
8.705-678.0	155600	per ft / hose only
8.901-327.0	150230*	add fitting(s) and bend restrictor
8.901-326.0	150228*	add fitting(s) only

\*Assembly – Add to cost of custom length (labor & fittings - 2 solid MPT)

## Orange 600 & Ribbed PVC Sprayer Hose



Braid reinforced PVC hose designed specifically for AG / Pest control spraying applications.



- Tough Ribbed Cover
- Color - Orange
- 600 PSI max pressure
- Bulk Hose Standard in 300' Single Length Coils
- Resists Abrasion and UV Rays

Part No.	Original No.	Length
<b>3/8" Hose - Orange</b>		
8.705-527.0	150630	300' Coil (Single, Uncut Length)
8.901-384.0	150634	50' Length (Bulk)
8.901-385.0	150636	100' Length (Bulk)
8.901-383.0	150632	Per Foot (Minimum 25')

Part No.	Original No.	Length
<b>1/2" Hose - Orange</b>		
8.705-523.0	150601	300' Coil (Single, Uncut Length)
8.901-377.0	150603	50' Length
8.901-379.0	150606	100' Length
8.705-524.0	150602	Per Foot (Minimum 25')

Part No.	Original No.	Length
<b>3/4" Hose - Orange</b>		
8.705-531.0	150660	300' Coil (Single, Uncut Length)
8.901-386.0	150662	Per Foot (Minimum 25')

NOTE: All Above Hoses Can Be Custom Fitted – with MPT Fittings, Male or Female Garden Hose Solid or Swivel Fittings, with or without Bend Restrictors, etc. Combinations Are Too Numerous To List – CALL FOR CUSTOM ASSEMBLY PRICING!

## Garden Hose - APEX Quality



- Reinforced hoses for flexibility & strength in all weather
- Assemblies complete with bend restrictor • Commercial grade has machined octagonal "wrench tight" fittings

Part No.	Original No.	Length	ID	Grade	Color
8.704-786.0	121315	50'	5/8"	Com	Gray
8.704-787.0	121319	100'	5/8"	Com	Gray
8.704-788.0	121332	50'	5/8"	HD	Lt. Green
8.704-789.0	121336	100'	5/8"	HD	Lt. Green

Part No.	Original No.	Length	ID	Grade	Color
<b>All Rubber Reinforced Hot Water (160°F) Hose</b>					
8.704-790.0	121344	50'	5/8"	Com	Red
8.704-791.0	121348	50'	3/4"	Com	Red

Part No.	Original No.	Length	ID	Grade	Color
<b>Industrial Grade Hose</b>					
8.711-771.0	707235	50'	5/8"	Ind	Black

## Hose Bend Restrictors



- Top quality molded fit bend restrictors
- Fits snugly to prevent kinks near the connectors
- Non-slip sure fit
- Easy installation, 325°F

Part No.	Original No.	Size	Hose Size/Type	Color/Material
8.705-479.0	150166	5.3"	1/4" 1 wire	Black Vinyl
8.705-476.0	150161	6.0"	3/8" 1 wire	Black Vinyl
8.705-478.0	150164	6.0"	3/8" 2 wire	Red Vinyl
8.705-481.0	150170	7.0"	1/2" 1 wire	Black Vinyl
8.705-480.0	150168	7.0"	1/2" 2 wire	Red Vinyl
8.705-483.0	150174	6.5"	3/8" Combo	Gray Vinyl
8.705-482.0	150172*	6.5"	1/2" Combo	Black Rubber

\*Insulated Rubber

## Sewer Hose

**SUPER FLEXIBLE SEWER LINE HOSE** Hose and couplings have small outside diameter, allowing hose and nozzles to fit through sewer line. Sewer line has Super Tough poly-ether cover over ultra-flexible nylon tube. (1/8" sewer nozzle and hose will operate through many 1-1/2" lines.)  
(Nozzles not included.)



- 160°F max temperature
- Nylon tube, poly-ether cover

Part No.	Original No.	Description	PSI
<b>1/8" Hose, 1/4" inlet / 1/8" outlet</b>			
8.705-601.0	150960	1/8" x 25'	4800
8.705-602.0	150963	1/8" x 50'	4800
8.705-603.0	150964	1/8" x 100'	4800
<b>1/4" Hose, 1/4" inlet / 1/4" outlet</b>			
8.705-607.0	150968	1/4" x 50'	2600
8.705-608.0	150970	1/4" x 100'	2600
8.705-610.0	150972	1/4" x 50'	4400
8.705-611.0	150973	1/4" x 100'	4400

## Connector Hose - 2' - 10'



Connector hose come with 1 solid / 1 swivel end. NOTE: Add the suffix "B" to the Original No. to include Bend Restrictors.

Part No.	Orig. No.	Lengths	Part No.	Orig. No.	Lengths
<b>3/8" Ultima - 2 wire 4500 PSI</b>					
8.901-608.0	154102	2'	8.901-623.0	154107	7'
8.901-611.0	154103	3'	8.901-625.0	154108	8'
8.901-614.0	154104	4'	8.901-628.0	154109	9'
8.901-617.0	154105	5'	8.901-630.0	154110	10'
8.901-620.0	154106	6'			

NOTE: Add the suffix "B" to the Original No. to include Bend Restrictors

Part No.	Orig. No.	Lengths	Part No.	Orig. No.	Lengths
<b>3/8" Apex 3000 - 1 wire 3000 PSI</b>					
8.901-457.0	153002	2'	8.901-476.0	153007	7'
8.901-460.0	153003	3'	8.901-479.0	153008	8'
8.901-464.0	153004	4'	8.901-482.0	153009	9'
8.901-467.0	153005	5'	8.901-484.0	153010	10'
8.901-472.0	153006	6'			

NOTE: Add the suffix "B" to the Orig. No. to include Bend Restrictors

Part No.	Orig. No.	Lengths	Part No.	Orig. No.	Lengths
<b>1/2" Ultima 4500 - 2 wire 4500 PSI</b>					
8.901-726.0	155702	2'	8.901-737.0	155707	7'
8.901-729.0	155703	3'	8.901-738.0	155708	8'
8.901-731.0	155704	4'	8.901-739.0	155709	9'
8.901-733.0	155705	5'	8.901-740.0	155710	10'
8.901-735.0	155706	6'			

NOTE: Add the suffix "B" to the Orig. No. to include Bend Restrictors

Part No.	Orig. No.	Lengths	Part No.	Orig. No.	Lengths
<b>1/4" Apex 3000 - 1 wire 3000 PSI</b>					
8.901-394.0	151002	2'	8.901-402.0	151007	7'
8.901-396.0	151003	3'	8.901-403.0	151008	8'
8.901-397.0	151004	4'	8.901-405.0	151009	9'
8.901-398.0	151005	5'	8.901-406.0	151010	10'
8.901-400.0	151006	6'			

NOTE: Add the suffix "B" to the Orig. No. to include Bend Restrictors

## Connector Hose / Carwash Bay Hose - 12' - 25'



All Carwash Bay hose come with Solid Male Pipe on both ends. NOTE: Add the suffix "B" to the Original No. to include Bend Restrictors.

Part No.	Orig. No.	Lengths	Part No.	Orig. No.	Lengths
<b>3/8" Apex 3000 - 1 wire 3000 PSI</b>					
8.902-576.0	261212	12'	8.902-590.0	261219	19'
8.902-578.0	261213	13'	8.902-592.0	261220	20'
8.902-580.0	261214	14'	8.902-594.0	261221	21'
8.902-582.0	261215	15'	8.902-596.0	261222	22'
8.902-584.0	261216	16'	8.902-598.0	261223	23'
8.902-586.0	261217	17'	8.902-600.0	261224	24'
8.902-588.0	261218	18'	8.902-602.0	261225	25'

NOTE: Add the suffix "B" to the Orig. No. to include Bend Restrictors

Part No.	Orig. No.	Lengths	Net Price	Part No.	Orig. No.	Lengths
<b>1/4" Apex 3000 - 1 wire 3000 PSI</b>						
8.902-545.0	261112	12'	\$9.90	8.902-560.0	261119	19'
8.902-547.0	261113	13'	10.50	8.902-562.0	261120	20'
8.902-549.0	261114	14'	11.10	8.902-564.0	261121	21'
8.902-551.0	261115	15'	11.72	8.902-565.0	261122	22'
8.902-554.0	261116	16'	12.32	8.902-567.0	261123	23'
8.902-556.0	261117	17'	12.93	8.902-569.0	261124	24'
8.902-558.0	261118	18'	13.53	8.902-571.0	261125	25'

NOTE: Add the suffix "B" to the Orig. No. to include Bend Restrictors

Part No.	Orig. No.	Lengths	Part No.	Orig. No.	Lengths
<b>3/8" Blue - 1 wire 3000 PSI</b>					
8.902-604.0	261312	12'	8.902-625.0	261319	19'
8.902-607.0	261313	13'	8.902-628.0	261320	20'
8.902-610.0	261314	14'	8.902-631.0	261321	21'
8.902-613.0	261315	15'	8.902-634.0	261322	22'
8.902-616.0	261316	16'	8.902-637.0	261323	23'
8.902-619.0	261317	17'	8.902-640.0	261324	24'
8.902-622.0	261318	18'	8.902-643.0	261325	25'

NOTE: Add the suffix "B" to the Orig. No. to include Bend Restrictors

Part No.	Orig. No.	Lengths	Part No.	Orig. No.	Lengths
<b>1/4" Blue - 1 wire 3000 PSI</b>					
8.902-646.0	261362	12'	8.902-663.0	261369	19'
8.902-648.0	261363	13'	8.902-665.0	261370	20'
8.902-650.0	261364	14'	8.902-667.0	261371	21'
8.902-652.0	261365	15'	8.902-669.0	261372	22'
8.902-655.0	261366	16'	8.902-671.0	261373	23'
8.902-658.0	261367	17'	8.902-673.0	261374	24'
8.902-660.0	261368	18'	8.902-675.0	261375	25'

NOTE: Add the suffix "B" to the Orig. No. to include Bend Restrictors

## “Field” Attachable Couplings

Design and Build Your Own Hose or Adapt and Repair Hose in the Field (No Crimper Required)



### Couplings for 1 Wire Braid Hose

Part No.	Original No.	ID x MPT	Type
8.705-493.0	150502	1/4" x 1/4"	Solid
8.705-495.0	150505	1/4" x 1/4"	Swivel
8.705-496.0	150510	3/8" x 1/4"	Solid
8.705-497.0	150511	3/8" x 3/8"	Solid
8.705-498.0	150513	3/8" x 3/8"	Swivel
8.705-499.0	150515	1/2" x 3/8"	Solid
8.705-500.0	150516	1/2" x 1/2"	Solid
8.705-501.0	150518	1/2" x 1/2"	Swivel

### Couplings for 2 Wire Braid Hose

Part No.	Original No.	ID x MPT	Type
8.705-502.0	150532	1/4" x 1/4"	Solid
8.705-503.0	150535	1/4" x 1/4"	Swivel
8.705-504.0	150540	3/8" x 1/4"	Solid
8.705-505.0	150541	3/8" x 3/8"	Solid
8.705-506.0	150543	3/8" x 3/8"	Swivel
8.705-507.0	150546	1/2" x 1/2"	Solid
8.705-508.0	150548	1/2" x 1/2"	Swivel

## Clear PVC Tubing



- “Box Pak” 100 ft
- 25°F to 150°F
- Very flexible – Non-reinforced
- Packaged in self-dispensing box

Part No.	Original No.	ID	OD	WP @70°
8.901-279.0	121070	1/4"	3/8"	55
8.704-766.0	121106	1/2"	5/8"	30
9.802-251.0	961506	1/4"	1/2"	Sold by the foot

## Flex Line Bypass / Supply Line Hose

Industrial PVC hose with black seamless inner tube, polyester braid reinforced tough outer cover. Excellent for use as supply lines or bypass lines. Typically used for air hoses.



- Looks & feels like rubber
- Smooth dirt- & oil-resistant finish
- Super flexible
- Abrasion-resistant cover
- Burst-rated 3 times WP

Part No.	Original No.	ID x OD	WP @ 70°	Roll Length
<b>Red Cover, heavy wall</b>				
8.901-281.0	121081	3/8" x .634"	300	50'
8.704-762.0	121084	3/8" x .634"	300	500'
8.901-282.0	121087	1/2" x .792"	250	50'
8.704-764.0	121090	1/2" x .792"	250	500'
8.901-284.0	121097	3/4" x 1.14"	160	50'
8.704-765.0	121099	3/4" x 1.14"	160	300'
<b>Black Cover, standard wall</b>				
8.901-285.0	121147	3/8" x .614"	250	100'
8.704-776.0	121148	3/8" x .614"	250	300'
8.704-777.0	121153	1/2" x .752"	250	300'
<b>Blue Cover, standard wall</b>				
8.704-779.0	121160	1/4" x .475"	250	100'
8.704-781.0	121165	3/8" x .614"	250	100'
8.704-782.0	121166	3/8" x .614"	250	300'

## Clear Reinforced PVC Tubing

Multi-use industrial grade tubing with high resistance to chemicals, solvents & fuel.



- Reinforced with polyester cord
- Huge selection of sizes and lengths
- 4 to 1 Burst Safety Factor

Part No.	Original No.	ID x OD	Roll Length	WP @ 70°
9.802-251.0	961506	1/4" x 1/2"	<sup>sold by the foot</sup>	
8.901-256.0	121031	1/4" x 3/8"	25'	250
8.901-257.0	121032	1/4" x 3/8"	50'	250
8.704-751.0	121033	1/4" x 3/8"	100'	250
8.704-752.0	121034	1/4" x 3/8"	300'	250
8.901-260.0	121036	3/8" x 1/2"	25'	175
8.901-261.0	121037	3/8" x 1/2"	50'	175
8.901-262.0	121038	3/8" x 1/2"	100'	175
8.704-753.0	121039	3/8" x 1/2"	300'	175
8.901-264.0	121041	1/2" x 3/4"	25'	175
8.901-265.0	121042	1/2" x 3/4"	50'	175
8.704-754.0	121043	1/2" x 3/4"	100'	175
8.704-755.0	121044	1/2" x 3/4"	300'	175
8.901-267.0	121046	5/8" x 7/8"	25'	140
8.901-268.0	121047	5/8" x 7/8"	50'	140
8.901-269.0	121048	5/8" x 7/8"	100'	140
8.704-756.0	121049	5/8" x 7/8"	300'	140
8.901-271.0	121051	3/4" x 1"	25'	140
8.901-272.0	121052	3/4" x 1"	50'	140
8.704-757.0	121053	3/4" x 1"	100'	140
8.704-758.0	121054	3/4" x 1"	300'	140
8.901-273.0	121059	1" x 1-1/4"	25'	75
8.901-274.0	121060	1" x 1-1/4"	50'	75
8.901-275.0	121061	1" x 1-1/4"	100'	75
8.704-759.0	121063	1" x 1-1/4"	200'	75

## Pulse Hose



- 1300 PSI working pressure
- Available with either plug-end or open flow with solid/swivel connects
- 3/8" MPT on both styles

Part No.	Original No.	Description
8.711-151.0	381118	18" with Plug End
8.711-153.0	381124	24" with Plug End
8.711-155.0	381128	28" Solid/Swivel - Open
8.711-157.0	381136	36" Solid/Swivel - Open

## Revolutionary 360° Swivel Design

The Rapid Reel® Pivot Reel takes the muscle and pain out of fighting high-pressure hoses and keeps them safely stored away from traffic. Featuring a sturdy, lockable, 360° swivel design, the Pivot Reel is always aligned with the hose for tangle-free pressure washing.

The Pivot Reel offers two types of hose reels: pivot and standard (non-pivot).

All are rated at 5000 PSI

and 325°F to meet maximum limits of standard pressure Washer. Reels carry a **two-year warranty**.

Pivot Reels have a number of distinctive features, including stainless steel rotor and dual seal swivel, “flip-over” hose guide, spring-action pin to prevent slippage when winding hose and easy-to-engage cam-lever brake.



360°

- **Pivot Design:** Engineered to keep the reel constantly in alignment with the hose for tangle-free washing.
- **Swivel Action:** Designed specifically for pressure Washer with stainless steel rotor and dual seals backed by two-year leak-free guarantee.
- **‘Flip-Over’ Hose Guide:** For ease in winding and unwinding as well as keeping hands clean and injury free.
- **Slip Protection:** Spring-action, stainless steel pin is quickly engaged or disengaged to prevent slippage during reel operation.
- **Cam-Lever Brake:** Made of durable components, turns on and off with the flick of a finger.
- **Hose Attachment:** Innovative design protects hose from hard pulls so that the strain is absorbed by a cushioned hose clamp.

## 360° Rapid Reel Pivot Reel

Features a sturdy, lockable 360° pivot design. Numerous mounting options. These patented pivot reels are always aligned with the hose for tangle-free pressure washing. Rated at 5000 PSI and 325°F.



- Red powder coat finish with white Hotsy logo
- Up to 5000 PSI @ 325°F
- **Heavy-duty swivel with a 2 year “no leak” guarantee**
- Pivoting action keeps reel in constant alignment with hose
- Mounting kit required

Part No.	Original No.	Capacity	Model No.
8.904-511.0	860202	100' x 3/8"	RQ 5513
8.904-516.0	860201	200' x 3/8"	RQ 5516

## Rapid Reel Non-Pivot Hose Reels

Versatile line for high-pressure hose. Numerous mounting options. High-pressure reels carry a 2-year warranty and are rated at 5000 PSI and 325°F.



- Red powder coat finish with white Hotsy logo
- Up to 5000 PSI @ 325°F
- **Heavy-duty swivel with a 2 year “no leak” guarantee**
- Mounting kit required



Non-pivot reels are designed to be bolted to one of the mounting brackets listed under “Non-Pivot reel kits”.

Part No.	Original No.	Capacity	Model No.
8.904-517.0	860204	100' x 3/8"	RQ 4413
8.904-518.0	860203	200' x 3/8"	RQ 4416

# HOSE & HOSE REELS

## Brackets

These brackets are to be used on machines that **DO NOT** have the factory installed receiver.



8.711-881.0



8.711-880.0

Part No.	Original No.	Description
8.711-880.0	615580	Universal
8.711-881.0	615582	Wall Mount Pivot

## Non-Pivot Accessories



8.711-887.0



8.177-884.0



8.711-882.0



9.802-268.0

Part No.	Original No.	Description
9.802-268.0	615584	Base for Wall Mount Non-Pivot
8.711-884.0	615585	Vertical Support Arm Non-Pivot
8.711-887.0	707293	45° Support Arm Non-Pivot
8.711-885.0	707298	90° Support Arm Non-Pivot

### Repair Parts

8.711-130.0	707248	Handle, Hose Reel
8.711-873.0	875724	Stainless Steel Swivel, 1/2" FPT & 3/8" FPT
8.711-877.0	753150	Repair Kit for Swivel
8.711-129.0	707231	Jumper Hose 3/8" x 36" 3/8 MS
8.711-617.0	867308	Jumper Hose 3/8" x 54" 3/8 MS

## HOTSY EZ Reel Kits



The Hotsy EZ Reel is built tough and affordable. Holds 100' of 3/8" ID hose. Convenient mounting kits have been designed to adapt this reel to most Hotsy models. See below.



- 4000 PSI @ 225°F
- Solid center core
- These mounting kits contain connection hoses, hardware and reel

Part No.	Description	Model No.
8.903-050.0	280790 100' 3/8" Hose, Hose Reel Kit	555/790 SS
8.903-051.0	280791 100' 3/8" Hose, Hose Reel Kit	560 SS
8.903-052.0	280792 100' 3/8" Hose, Hose Reel Kit	900-1400 Series
8.712-460.0	875778 Replacement Swivel	
8.900-855.0	753295 Repair Kit, Swivel	
8.700-188.0	753296 Replacement Handle	

## Cox Hose Reels



Cox reels offer high performance in a very compact and lightweight hand crank hose reel. Perfect for mobile application and permanent floor and wall mount.



8.711-858.0



9.802-265.0

- Rated up to 4000 PSI
- -20°F to 225°F
- Adjustable drag brake
- 90° brass swivel

Part No.	Original No.	Length	PSI
8.711-858.0	4-02750001	175' x 3/8"	3000
8.711-860.0	4-02750002	50' x 3/8"	4000
9.802-265.0	4-02750003	100' x 3/8"	4000
8.711-584.0	4-020362	Replacement Swivel, 1/2"	
8.711-585.0	4-020363	Replacement Swivel, 3/8"	
8.711-590.0	4-020368	Swivel Repair Kit	
8.711-591.0	4-020369	Handle Replacement	
8.711-588.0	4-020366	Locking Pin Assy	



## AP Hose Reels

AP hose reels have been designed to perfectly balance ruggedness and durability with affordability.



### Swivel Repair Kits

Part No.	Original No.
8.900-855.0	753295

### Replacement Swivels

See page 46



### Swivel Repair Kits

Part No.	Orig. No.	Hose Dia
8.700-287.0	075130	3/8"
8.700-285.0	075128	1/2"
8.900-855.0	110025*	

\*For Round Swivels

### Replacement Swivels

See page 46

- Flared flanges for maximum capacity
- Solid center core for maximum strength
- Rolled beaded edge flanges for maximum safety
- Easy mounting options for maximum versatility
- "Posi-Pin" lock, prevents unwanted dereeling
- Heavy-duty powder coated steel
- Easy access external swivel
- 4000 PSI working pressure
- Rated temp: 225°F
- 3/8" or 1/2" Inlet/Outlet

Part No.	Orig. No.	Hose Dia	Capacity (ft)	Core Width	Flange Width	Flange Dia	Overall Height
8.711-192.0	386188	3/8"	50	4.3	7.9	10.5	13.0"
9.804-067.0	386191	3/8"	100	8.7	12.2	10.5	13.0"
8.711-199.0	386206	3/8"	150	6.3	10.2	13.0	16.7"
8.711-201.0	386209	1/2"	100	6.3	10.2	13.0	16.7"

NOTE: Hose is not included in price. See page 37 for connector hoses.

- Super-reinforced core – Won't collapse!
- Adjustable brake for controlled reel tension
- Convenient external swivel
- Manual rewind handle included
- Solid core bolts onto flanges for extra strength
- 225°F max temperature
- Snap lock to prevent accidental dereeling
- Bearings have oil cap for easy field maintenance
- 4000 PSI working pressure

### Professional Size Reel

Part No.	Orig. No.	Hose Dia	Capacity (ft)	Reel Size Width	Reel Size Dia
8.711-182.0	386174	3/8"	150	6"	18"
8.711-183.0	386175	3/8"	300	10"	18"
8.711-184.0	386176	3/8"	350	14"	18"
8.711-189.0	386181	1/2"	200	10"	18"
8.711-190.0	386182	1/2"	270	14"	18"

NOTE: Hose is not included in price. Interchangeable parts available. Call for pricing. See page 37 for connector hoses.

### Space Saver Reel

Part No.	Orig. No.	Hose Dia	Capacity (ft)	Reel Size Width	Reel Size Dia
8.711-179.0	386171	3/8"	90	6"	14"
8.711-180.0	386172	3/8"	140	10"	14"
8.711-181.0	386173	3/8"	200	14"	14"
8.711-186.0	386178	1/2"	115	10"	14"
8.711-187.0	386179	1/2"	150	14"	14"

NOTE: Hose is not included in price. Interchangeable parts available. Call for pricing. See page 37 for connector hoses.